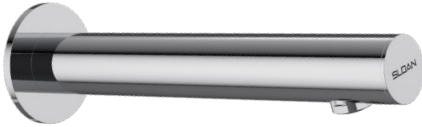


SF-2800/SF-2850 Parts & Accessories



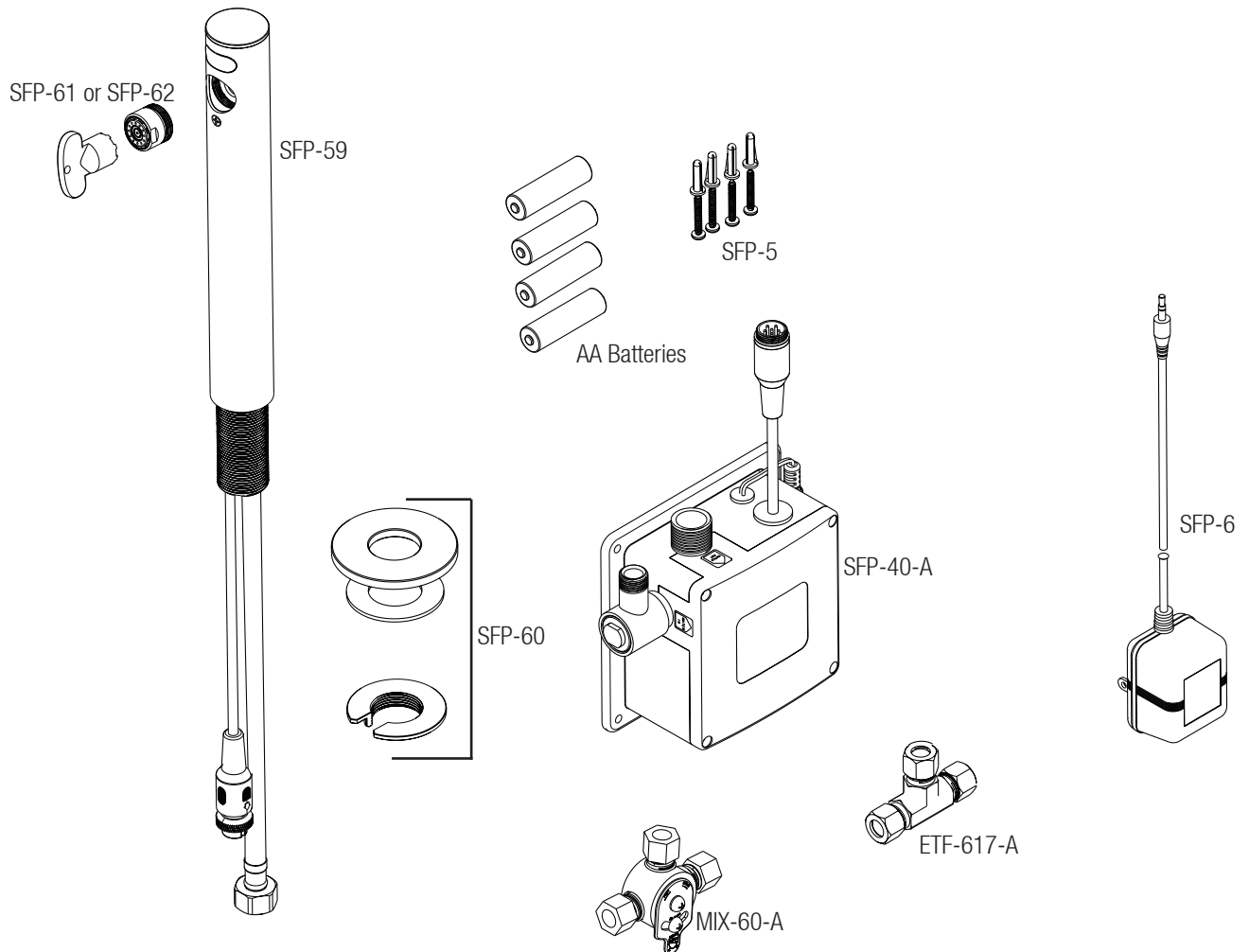
SF-2800 Wall Mount, Hardwired

SF-2850 Wall Mount, Battery Powered

NOTE: REAR ACCESS REQUIRED TO MOUNT SF-2800 SERIES FAUCET. SOLID WALL SUBSTRATE REQUIRED (NO DRYWALL OR DRYWALL BACKED TILE).

SPOUT ASSEMBLY		
DESCRIPTION	CODE No.	PART No.
Faucet Assembly SF-2800/2850	33621021	SFP-59
Spout Mounting Kit w/ Trim Plate (SF-2800/2850)	33241001	SFP-60
SPRAYHEAD OPTIONS		
DESCRIPTION	CODE No.	PART No.
0.35 GPM/1.32 Lpm MLM (SF-2800/2850)	33620012	SFP-61
0.5/1.9 Lpm MLM (SF-2800/2850)	33620011	SFP-62

WALL MOUNT ASSEMBLY		
DESCRIPTION	CODE No.	PART No.
Plug-in Adapter (120VAC/6VDC)	0362006	SFP-6
Backcheck Tee	3365461	ETF-617-A
Battery "AA" Size	-----	-----
Control Module	0362040	SFP-40-A
Mechanical Mixing Valve	0326009	MIX-60-A
Control Box Mounting Kit	0362005	SFP-5



NOTE: Some parts and accessories must be ordered separately * Not shown