

INSTALLATION INSTRUCTIONS



Water Connects Us®



SG-7019
Compact Rear
Inlet Urinal

BEFORE YOU BEGIN

WARNING: Risk of personal injury or product damage. Handle with care.

FOR BEST PERFORMANCE OF YOUR SLOAN® URINAL, USE SLOAN® TRUFLUSH FLUSHOMETERS

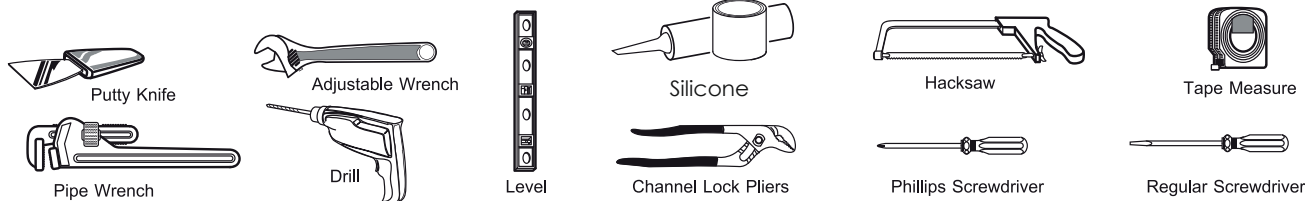
- Vitreous China can break or chip if the bolts and nuts are over-tightened, or if the product is handled carelessly.
- Observe all local plumbing and building codes.
- Check for any damage to the new urinal before installation.
- Make sure the wall is strong enough to support the new urinal prior to installation. Reinforce or install a urinal carrier if necessary.

√ Minimum Flowing Pressure: 25 PSI

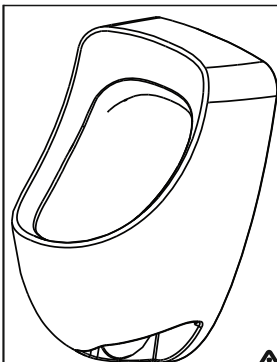
WARNING: hazardous gases can escape through the waste pipe if new urinal is not installed quickly. A temporary fix: place a rag in the waste pipe hole.



RECOMMENDED TOOLS AND MATERIALS:-



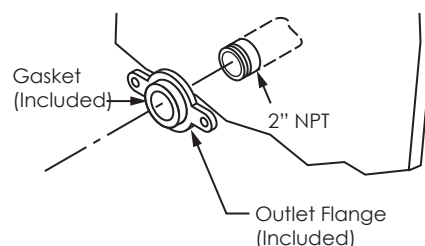
INSTALLATION GUIDELINE



Note:-All vitreous china dimensions shown in these drawings are nominal. Dimensions can vary within the tolerances established in the governing BIS standard. Please take this into consideration when planning rough-in and plumbing layouts. Product illustrations shown are representative only; actual products may vary. Sloan reserves the right to make changes in product characteristics, packaging or availability at any time without notice.

CAUTION : Do not use white cement or high lime-content cement to install this toilet. The expansion of cement due to rise in temperature may cause the toilet to crack or damage. Sloan is not responsible for any damage due to installation with the use of cement.

1. INSTALL OUTLET FLANGE AND GASKET



- Remove the temporary rag (if used) from the waste pipe hole.
- Apply thread sealant to waste pipe threads and install new outlet flange on pipe.

SLOAN

SLOAN INDIA PRIVATE LIMITED

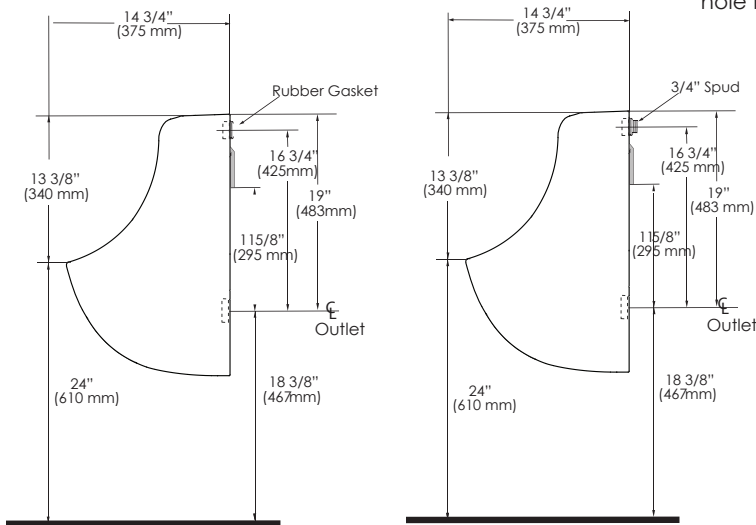
344, PHASE-II, UDYOG VIHAR, GURGAON 122015 Phone: (+91) 124-601333

Toll Free: 1800.123.3080 | customercare@sloan.in | sloan.com Copyright © 2021 Sloan. All rights reserved.

INSTALLATION GUIDELINE

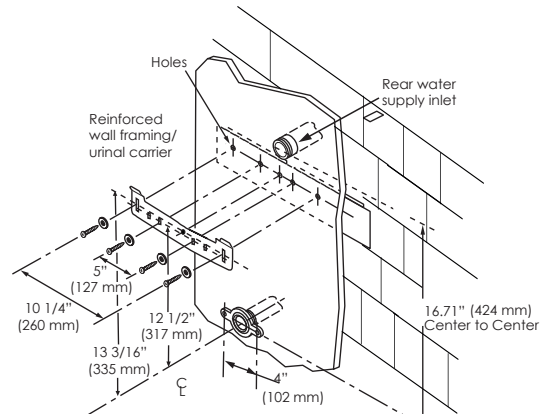
2. INSTALL NEW WALL HANGER BRACKET (INCLUDED)

- Concrete Wall must be properly reinforced to support urinal.
- Determine position for new wall hanger bracket and mark hole locations.



• With extended connector use only Rubber Gasket

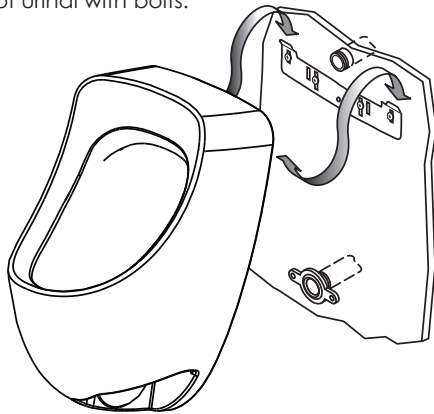
• For flexible connection use 3/4" brass connector which exist with product.



- Drill holes in wall (use wall anchors if needed).
- Mount and level wall hanger bracket using mounting screws and washers (included).

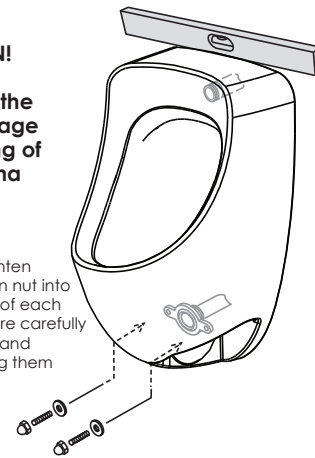
3. INSTALL NEW URINAL

- Install urinal on wall hanger bracket and secure bottom of urinal with bolts.



CAUTION!
Do not overtighten the bolts. Breakage and chipping of vitreous china can occur.

Hand tighten hex acorn nut into one end of each bolt before carefully securing and tightening them



Note: Check if urinal is level. If not, adjust bracket.

4. COMPLETING THE INSTALLATION

- Install flush valve(not included) to manufacturer's installation instructions.
- Turn on water supply valve.
- Flush urinal a few times and check all connections for water seepage.
- Use Silicon on urinal perimeter where urinal meets the wall surface to provide a suitable hygienic seal.

5. CARE AND CLEANING OF VITREOUS CHINA:-

- Clean urinals with a cleaner safe for vitreous china . Spray and wipe clean using soft cloth. Soft abrasive cleaners may be used to remove stains.

Note: Product illustrations shown are representative only; actual products may vary.

LIMITED WARRANTY

Sloan Valve Company warrants its vitreous china products to be made of first class materials, free from defects of material or workmanship under normal use and to perform the service for which they are intended in a thoroughly reliable and efficient manner when properly installed and serviced, for a period of five years from date of purchase. During this period, Sloan Valve Company will, at its option, repair or replace any part or parts which prove to be thus defective if returned to Sloan Valve Company, at customer's cost, and this shall be the sole remedy available under this warranty. No claims will be allowed for labor, transportation or other incidental costs. This warranty extends only to persons or organizations who purchase Sloan Valve Company's products directly from Sloan Valve Company for purpose of resale.

THERE ARE NO WARRANTIES WHICH EXTEND BEYOND THE DESCRIPTION ON THE FACE HERE OF. IN NO EVENT IS SLOAN VALVE COMPANY RESPONSIBLE FOR ANY CONSEQUENTIAL DAMAGES OF ANY MEASURE WHATSOEVER. NOTE: IN NO EVENT SHALL THE SLOAN VALVE COMPANY BE LIABLE FOR INCIDENTAL DAMAGES, RESULTING FROM IMPROPER INSTALLATION, OR FOR DAMAGES CAUSED BY NEGLIGENCE, ABUSE OR ALTERATION.

SLOAN

SLOAN INDIA PRIVATE LIMITED

344, PHASE-II, UDYOG VIHAR, GURGAON 122015 Phone: (+91) 124-601333

Toll Free: 1800.123.3080 | customercare@sloan.in | sloan.com Copyright © 2021 Sloan. All rights reserved.