

## INSTALLATION INSTRUCTIONS FOR SLOAN SF SERIES ELECTRONIC SENSOR ACTIVATED BASIN FAUCETS

### SF-2100 Series

Adapter Powered with Battery Backup,  
Sensor Activated, Pedestal Style Basin Faucets

### SF-2150 Series

Battery Powered, Sensor Activated,  
Pedestal Style Basin Faucets



### SF-2400 Series

Adapter Powered with Battery Backup,  
Sensor Activated, Pedestal Style Basin Faucets

### SF-2450 Series

Battery Powered, Sensor Activated,  
Pedestal Style Basin Faucets



### LIMITED WARRANTY

Sloan Valve Company warrants its SF Series Electronic Hand Washing Faucets to be made of first class materials, free from defects of material or workmanship under normal use and to perform the service for which they are intended in a thoroughly reliable and efficient manner when properly installed and serviced, For a period of 5 years on faucet body chrome finish and 1 year on electronic parts; Hose pipe, Plastic Parts, Battery and Liquid soap not covered in warranty. During this period, Sloan Valve Company will, at its option, repair or replace any part or parts which prove to be thus defective if returned to Sloan Valve Company, at customer's cost, and this shall be the sole remedy available under this warranty. No claims will be allowed for labor, transportation or other incidental costs. This warranty extends only to persons or organizations who purchase Sloan Valve Company's products directly from Sloan Valve Company for purpose of resale. This warranty does not cover the life of the batteries.

**THERE ARE NO WARRANTIES WHICH EXTEND BEYOND THE DESCRIPTION ON THE FACE HEREOF. IN NO EVENT IS SLOAN VALVE COMPANY RESPONSIBLE FOR ANY CONSEQUENTIAL DAMAGES OF ANY MEASURE WHATSOEVER.**

## PRIOR TO INSTALLATION

Prior to installing the Sloan SF Series Electronic Basin Faucet, install the items listed below. Also, refer to the appropriate rough-in diagram.

- **Plug-In Adapter**  
**Models SF-2100/SF-2400 only** — Install electrical receptacle(s) for plug-in adapter(s) — 220 VAC, 1 amp service for each 6 VDC plug-in adapter used or per country standard
- Water supply lines (or hot and cold optional)
- Drain lines

### Important:

- **INSTALL ALL ELECTRICAL WIRING IN ACCORDANCE WITH NATIONAL/LOCAL CODES AND REGULATIONS.**
- **INSTALL ALL PLUMBING IN ACCORDANCE WITH APPLICABLE CODES AND REGULATIONS.**
- **A 6 VDC STEP-DOWN ADAPTER MUST BE USED FOR HARDWIRE APPLICATIONS.**
- **BEFORE CONNECTING FLEX HOSE(S) TO SUPPLY STOP(S), FLUSH ALL WATER LINES UNTIL WATER IS CLEAR.**

## TOOLS REQUIRED FOR INSTALLATION

- Electric drill for drilling anchor holes (1/4" or 6 mm drill bit)
- Straight blade and phillips blade screwdrivers
- Open end wrenches (9, 11, 13, 16, 22 mm)

The components supplied with International Models of the SF Series Faucets may vary from what is shown in this manual. Consult factory to identify variations that may apply to your market.

## CARE AND CLEANING OF CHROME AND SPECIAL FINISHES

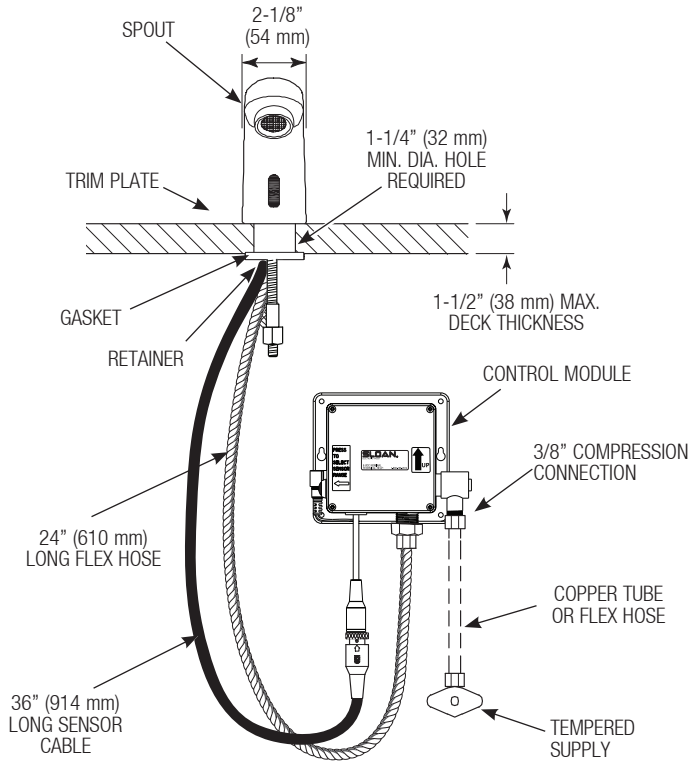
**DO NOT USE** abrasive or chemical cleaners (including chlorine bleach) to clean Faucets that may dull the luster and attack the chrome or special decorative finishes. Use **ONLY** mild soap and water, then wipe dry with clean cloth or towel.

While cleaning the bathroom tile, protect the Faucet from any splattering of cleaner. Acids and cleaning fluids will discolor or remove chrome plating.

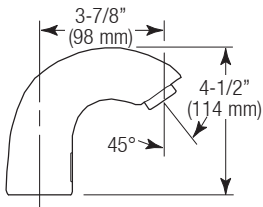


# FAUCET ROUGH-IN

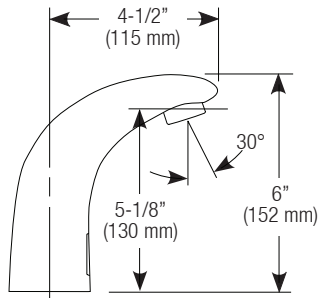
## SF-2100 / SF-2150 Series



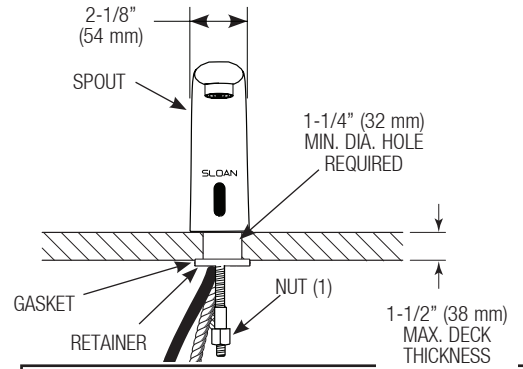
SIDE VIEW SF-2100 / SF-2150 Series



SIDE VIEW SF-2400 / SF-2450 Series

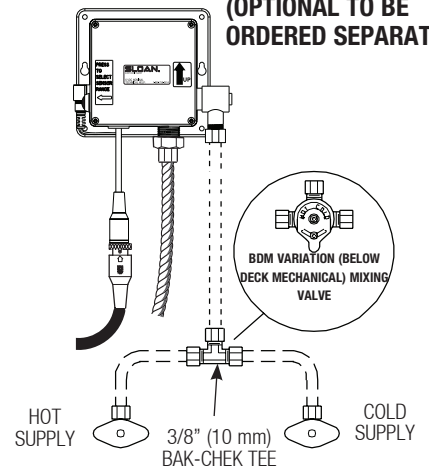


## SF-2400 / SF-2450 Series



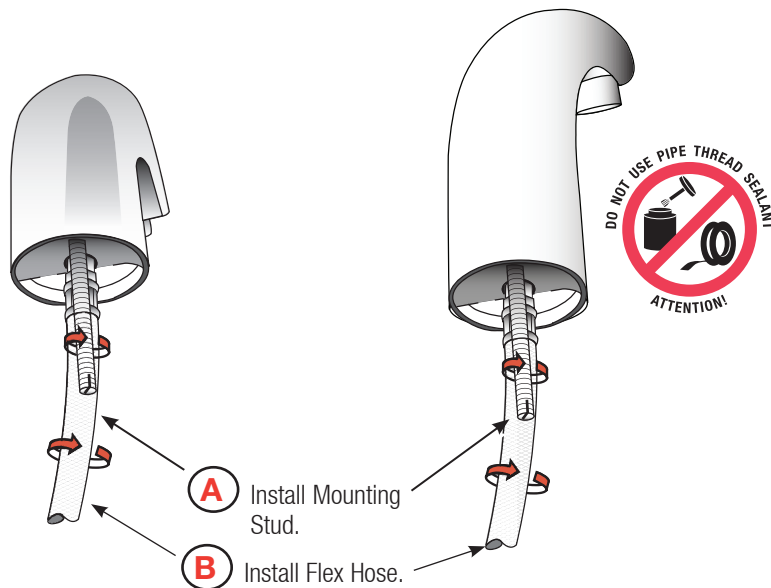
### HOT AND COLD WATER SUPPLY APPLICATIONS

(OPTIONAL TO BE ORDERED SEPARATLY)



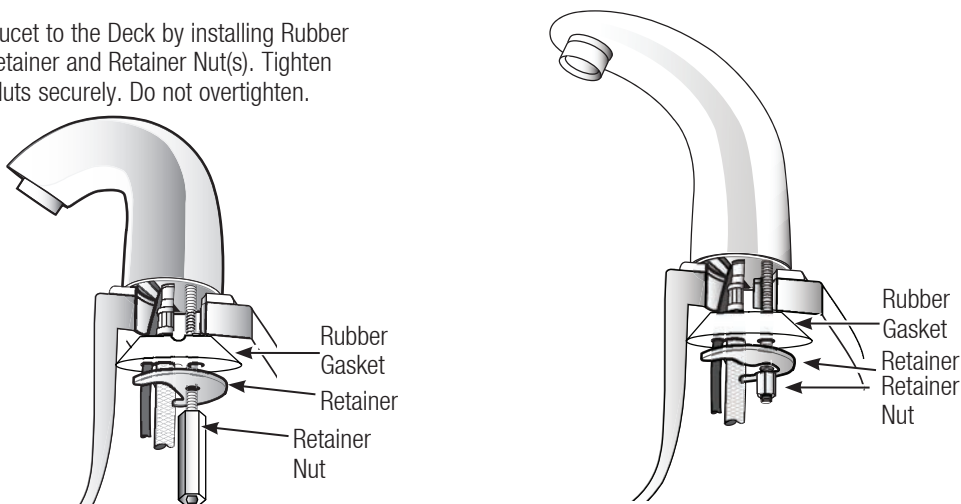
COPPER TUBES OR FLEX HOSES - Flex Hoses Supplied Only with some International Models.

## 1- SF-2100/2150 & SF-2400/2450 SERIES: INSTALL FLEX HOSE AND MOUNTING STUD



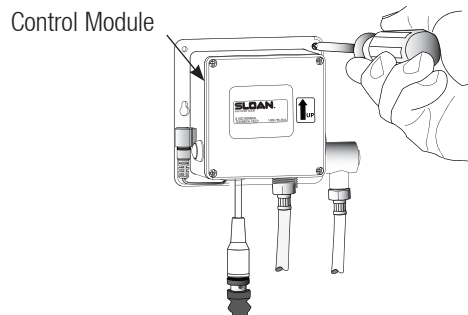
## 2 - SF-2100/2150 & SF-2400/2450 SERIES: INSTALL RUBBER GASKET, RETAINER, AND RETAINER NUT(S)

- A** Secure Faucet to the Deck by installing Rubber Gasket, Retainer and Retainer Nut(s). Tighten Retainer Nuts securely. Do not overtighten.



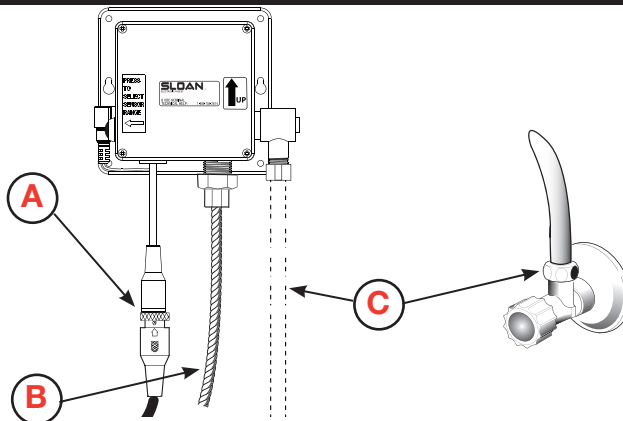
## 3 - INSTALL CONTROL MODULE IN AN APPROPRIATE LOCATION (SEE ROUGH-INS)

- A** Using Control Module as a template, mark mounting holes on wall. When installed, Sensor Cable and Flex Hose need some slack.
- B** Drill 1/4" (6 mm) hole at each mounting hole location.
- C** Install Plastic Anchors (supplied) into mounting holes in wall.
- D** Install Control Module to wall using Fasteners supplied.



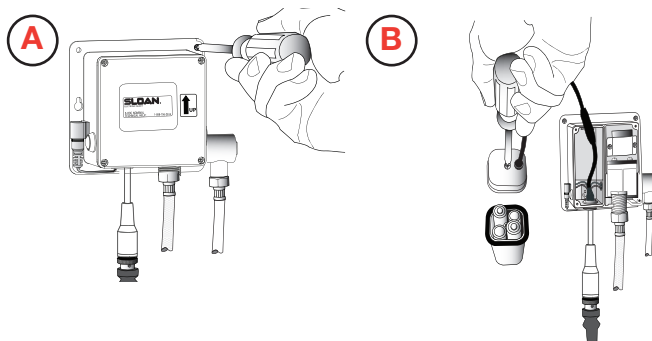
## 4 - CONNECT SENSOR CABLE AND WATER LINES TO CONTROL MODULE

- A** Connect Sensor Cable (from Faucet).
- B** Connect Flex Hose (from Faucet).
- C** Connect Water Line (**supplied with INTL Models only**) to Supply Stop and Control Module.



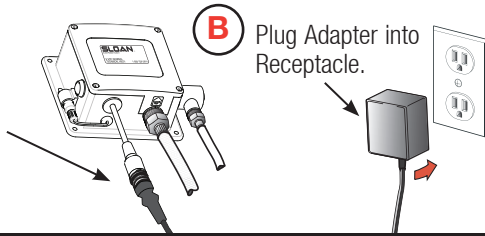
## 5 - INSTALL BATTERIES

- A** Loosen Cover Screws and remove Cover from Control Module.
- B** Remove Battery Compartment, remove compartment lid using screwdriver and install four (4) AA-size batteries (supplied) as indicated by the (+) and (-) symbols inside the Battery Compartment. Replace compartment lid and tighten with screwdriver.
- C** Reinstall Battery Compartment into the Control Module.
- D** Reinstall Control Module Cover using all four (4) Screws.



## 6 - CONNECT ADAPTER (ADAPTER POWERED MODELS ONLY) AND TURN ON WATER SUPPLY

**A** Plug Adapter Jack into Control Module.



**B** Plug Adapter into Receptacle.

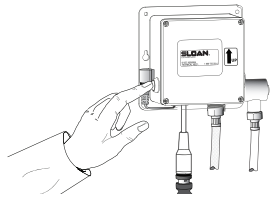
**C** Turn on Water Supply.



## 7 - SET RANGE ADJUSTMENT

**NOTE:** Sensor Range can be adjusted after power is supplied to the Faucet (battery or hardwire).

**A** Hold the black button in until the sensor flashes (approximately 3 - 6 seconds).



**B** Place your hand (or card) in front of the sensor at the distance you desire the Faucet to activate. Leave hand or card at this location while the sensor range is setting. Remove hand or card when the sensor light turns off. The sensor range is now set.



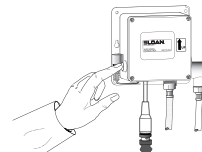
**NOTE:** The sensor range is dependent on the distance of your hand or card while the sensor is in range setting mode.

**NOTE:** If no target is placed in front of the sensor, the sensor range will set to its longest distance.

## 8 - SET WATER FLOW TIME-OUT

**NOTE:** There are two available time-out settings; 10 seconds and 30 seconds.

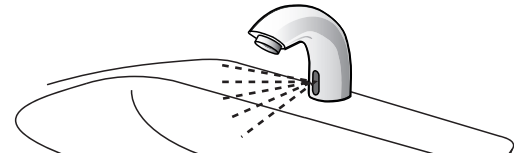
**A** Hold the black button in for more than six seconds. The water flow time-out setting will change from 30 seconds to 10 seconds or from 10 seconds to 30 seconds.



## 9 - TEST FAUCET OPERATION



1. Place hands under faucet. Solenoid valve should “click,” LED in sensor window should blink once and water should flow from the spout.



2. When hands are removed, the water flow should stop.

## TROUBLESHOOTING GUIDE

### 1. Faucet delivers water in an uncontrolled manner.

A. Faucet is defective. Contact Sloan Valve Company Installation Engineering Department (see below).

### 2. Faucet does not deliver any water when Sensor is activated.

**INDICATOR: Solenoid valve produces an audible “CLICK.”**

- A. Water supply stop(s) closed. Open water supply stop(s).
- B. Water strainer in control module is clogged. Close supply stops and remove water inlet line at control module. Remove, clean and reinstall strainer and water inlet line. Replace strainer if required.

**INDICATOR: Solenoid valve DOES NOT produce an audible “CLICK.”**

- A. Batteries low (battery powered models). Replace batteries.
- B. Power failure (adapter powered models). Check power supply.

### 3. Faucet delivers only a slow flow or dribble when Sensor is activated.

A. Water supply stop(s) are partially closed. Completely open water supply stop(s).

B. Water strainer in control module is clogged. Close supply stops and remove water inlet line at control module. Remove, clean and reinstall strainer and water inlet line. Replace strainer if required.

C. Aerator is clogged. Remove, clean, and reinstall aerator. Replace aerator if required.

D. Valve may be obstructed. Contact Sloan Valve Company Installation Engineering Department (see below).

### 4. Faucet does not stop delivering water or continues to drip after user is no longer detected.

A. Valve is not sealing. Contact Sloan Valve Company Installation Engineering Department (see below).

### 5. The water temperature is too hot or too cold on a Faucet connected to hot and cold supply lines.

A. Supply Stops are not adjusted properly. Adjust Supply Stops.

## SLOAN INDIA PRIVATE LIMITED

344, PHASE-II UDYOG VIHAR, GURGAON 122015 Phone: (+91) 124-6013333  
Toll Free: 1800 123 3080 | [customercare@sloan.in](mailto:customercare@sloan.in) | [sloan.in](http://sloan.in) | copyright © 2021 sloan All rights reserved