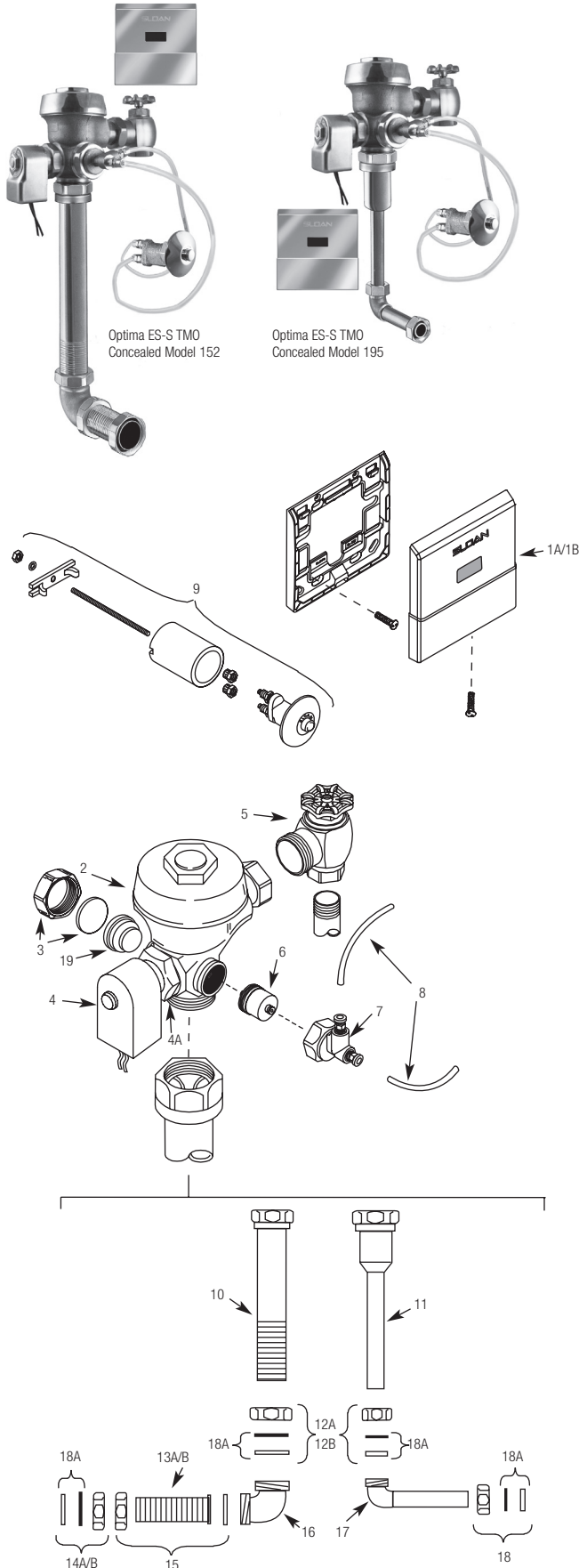


# Optima® Royal® ES-S TMO Concealed Flushometer



## ROYAL® OPTIMA® ES-S TMO CONCEALED FLUSHOMETER PARTS LIST

Item No.	Code No.	Part No.	Description
1A.	<b>3305107</b>	EL-635-A	CP Cover Plate with Sensor (Mounting Screws included) (Model 152)
1B.	<b>3305101</b>	EL-645-A	CP Cover Plate with Sensor (Mounting Screws included) (Model 195)
2.	‡	—	Valve Assembly
3.	<b>3301093</b>	A-1013-A	Concealed Valve Handle Cap RB
4.	<b>0305331</b>	EL-138-2	RB Concealed 24V Solenoid Assembly
4A.	<b>3305043</b>	EL-128-A	Actuator Cartridge Assembly Only
5.	‡	H-730-A	RB Bak-Chek® Control Stop
6.	<b>3318001</b>	HY-83-A	Actuator Cartridge
7.	<b>3318005</b>	HY-109-A-1	Valve Actuator Assembly
8.	<b>0318093</b>	HY-30	1/4" (6 mm) x 48" (1219 mm) Connecting Tubes
9.	<b>0318117</b>	HY-100-A-1	Metal Push Button Assembly
10.	‡	V-500-AA	1-1/2" (38 mm) Vacuum Breaker Assembly RB (Model 152)
11.	‡	V-500-AA	3/4" (19 mm) Vacuum Breaker Assembly RB (Model 192)
12A.	<b>0306088</b>	F-2-AT	1-1/2" (38 mm) Slip Joint Coupling Assembly RB (Model 152)
12B.	<b>0306054</b>	F-2-AW	3/4" (19 mm) Slip Joint Coupling Assembly RB (Model 192)
13A.	‡	F-110	1-1/4" (32 mm) Outlet Tube with Flange and Scoring (Model 152)
13B.	‡	F-100	1-1/2" (38 mm) Outlet Tube with Flange and Scoring (Model 152)
14A.	<b>0306059</b>	F-2-AU	1-1/4" (32 mm) Slip Joint Coupling Assembly RB (Model 152)
14B.	<b>0306088</b>	F-2-AT	1-1/2" (38 mm) Slip Joint Coupling Assembly RB (Model 152)
15.	<b>0306091</b>	F-2-A	1-1/2" (38 mm) Coupling with S-21 Gasket (Model 152)
16.	<b>0206146PK</b>	F-21	1-1/2" (38 mm) Double Male Slip Joint Elbow
17.	‡	F-15-A	ELL with 3/4" (19 mm) Tail
18.	<b>0306054</b>	F-2-AW	3/4" (19 mm) Slip Joint Coupling
18A.	<b>SEE SLIP JOINT GASKETS AND RINGS TABLE BELOW</b>		
19.	<b>0305190</b>	EL-190-A	Handle Adapter Assembly
20.	<b>3345020</b>	EL-1033-A	ESS to TMO Retrofit Kit (Concealed)*
	<b>3388015</b>	H-1015-A	Flow Control Kit (HEU Only) (not Shown)

‡ Part number varies with valve model variation; consult factory.

\* Not Shown

### ITEM 18A. SLIP JOINT GASKETS AND RINGS

Size	Code No.	Part No.	Description
1-1/2"	<b>5306058</b>	F-3	Red Friction Ring
	<b>5322001</b>	VBF-5	Black Slip Joint Gasket
	<b>0319086/5319086</b>	S-30	Flexible Seat
	<b>0319079</b>	S-21	Rigid Seat (rubber over brass)
1-1/2" x 1-1/4"	<b>0396062</b>	F-105	Slip Joint Gasket – Rigid
1-1/4"	<b>5306057</b>	F-3	Red Friction Ring
	<b>5322176</b>	VBF-5	Black Slip Joint Gasket
	<b>0307052/5307052</b>	G-21	Rigid Seat (rubber over brass)
1"	<b>5306056</b>	F-3	Red Friction Ring
	<b>5306115</b>	F-5	Black Slip Joint Gasket
3/4"	<b>5306055</b>	F-3	Red Friction Ring
	<b>5306113</b>	F-5	Black Slip Joint Gasket